



› Wood and Coal Boiler

- Thermostatic draft regulator
- 18-25-35-45-60 kW Capacities
- Comfortable
- Efficiency



"Feel the heat..."



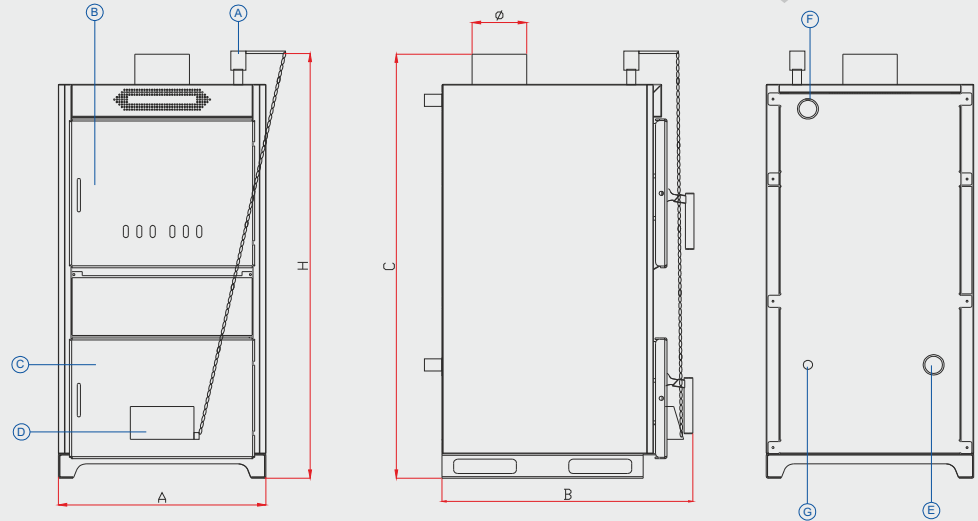
CE



ÜKY/W series Wood and Coal Boiler

ÜNMAK ÜKY/W series solid fuel boilers are designed to burn coal and wood. Boilers are economical solution for heating purpose. They have different capacities. They are easy to use and provide comfortable heating.

- A-Thermostatic draft regulator
- B-Upper Cover
- C-Lower Cover
- D-Air Flap
- E-Hot Water Inlet
- F-Hot Water Outlet
- G-Filling- Discharge
- H-Flue



TECHNICAL SPECIFICATIONS

MODEL - SERIES	ÜKY/W	18	25	35	45	60	
Fuel Type		Black Coal-Hardwood					
Heat Output (Black Coal)	kW	16-18	23 - 25	32 - 35	42 - 45	57 - 60	
	kcal/h	14,630 - 15,500	19,780 - 21,500	27,250 - 30,100	36,120 - 38,700	49,020 - 51,600	
Heat Output (Wood)	kW	14-15	20 - 22	27 - 30	34 - 37	49 - 52	
	kcal/h	12,048 - 12,900	17,200 - 18,920	23,220 - 25,800	29,240 - 31,820	42,140 - 44,720	
Burning Chamber Height	mm	295	395	395	450	450	
Burning Chamber Width	mm	355	355	500	500	500	
Burning Chamber Length	mm	400	400	450	500	600	
Burning Chamber Volume	dm ³	41,9	56,1	88,9	112,5	135,0	
Fuel Entry Cover Dimensions	mm	355x180		500x180	500x180	500x180	
Water Volume	lt	45	55	70	80	100	
Boiler Weight	kg	155	176	218	252	295	
Required Draft	mbar	0,15-0,20			0,20 - 0,30	0,25 - 0,35	
Min-Max Operating Temperature	°C	40-90					
Water Return Temperature (recommended)	°C	40					
Maximum Operating Pressure	bar	3					
Test Pressure	bar	5					
Dimensions	Width (a)	mm	500		600		
	Length (b)	mm	595		650	750 850	
	Chimney Connection Height (d)	mm	1100	1200		1250	
	Boiler Total Height (h)	mm	1210	1310		1360	
Exhaust Gas Connection Diameter (Chimney)	mm	130			160		
Min-Max Chimney Temperature	°C	170-210					
Boiler Outlet-Inlet	R"	1 ¼			1 ½"		
Filling - Discharge	R"	1/2"					

The right to make changes in dimension is reserved.