



➤ Prismatic Solid Fuel Boiler

- Electronic & Automatic Heat Control
- Central Heating
- Solid Fuel
- Three Pass
- High Efficiency
- Economical

ÜKYP - 300 - 600

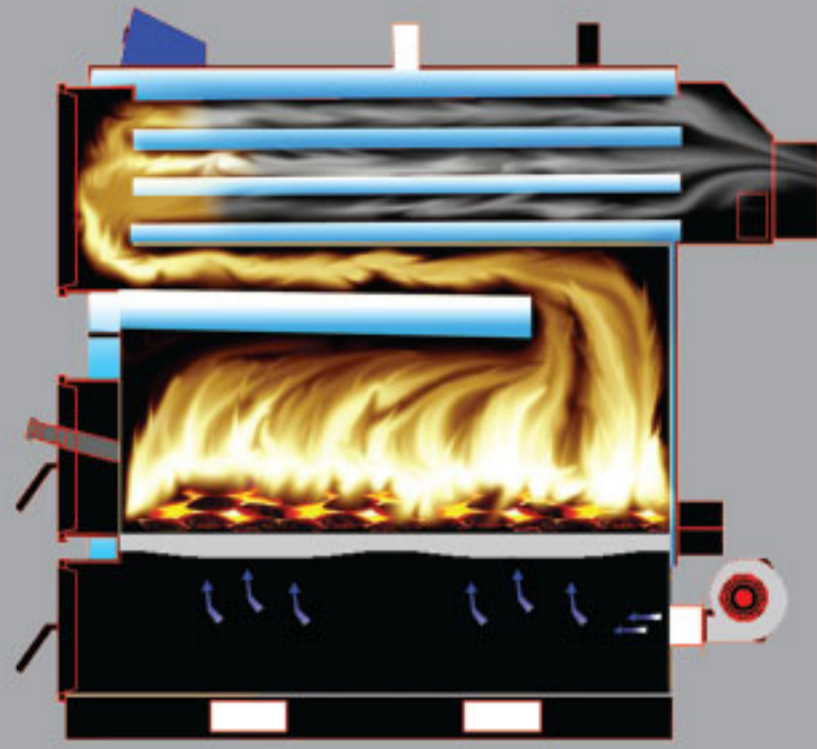


ÜKYP - 130 - 250



“Feel the heat...”

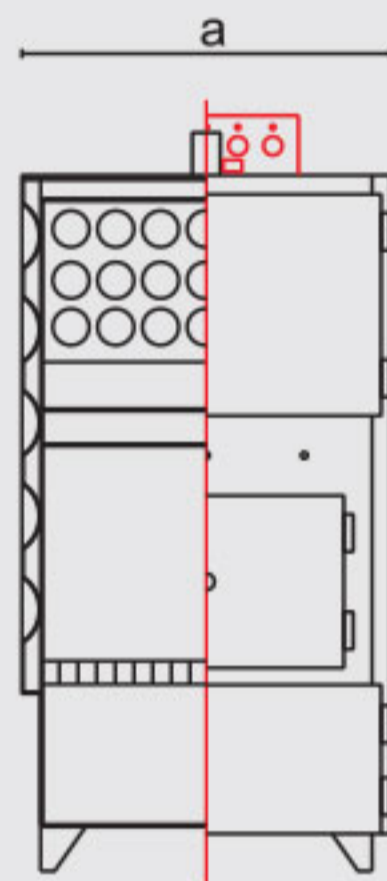




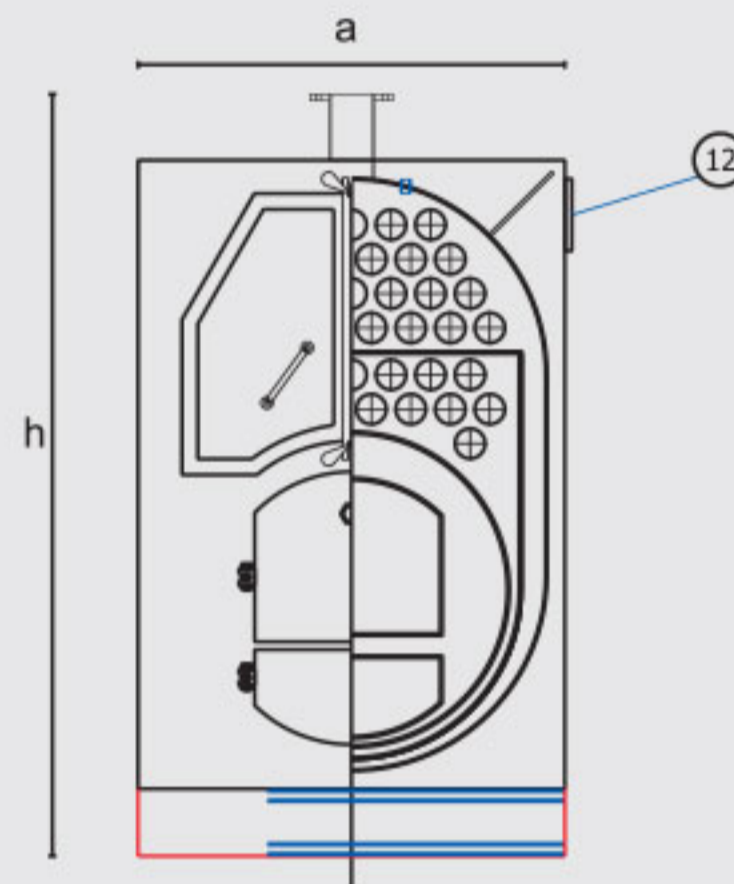
ÜKYP series Prismatic Solid Fuel Boiler

ÜNMAK ÜKYP series prismatic solid fuel boilers are designed to burn coal and wood. They have eleven different capacities. Boilers are user friendly and provide comfortable heating.

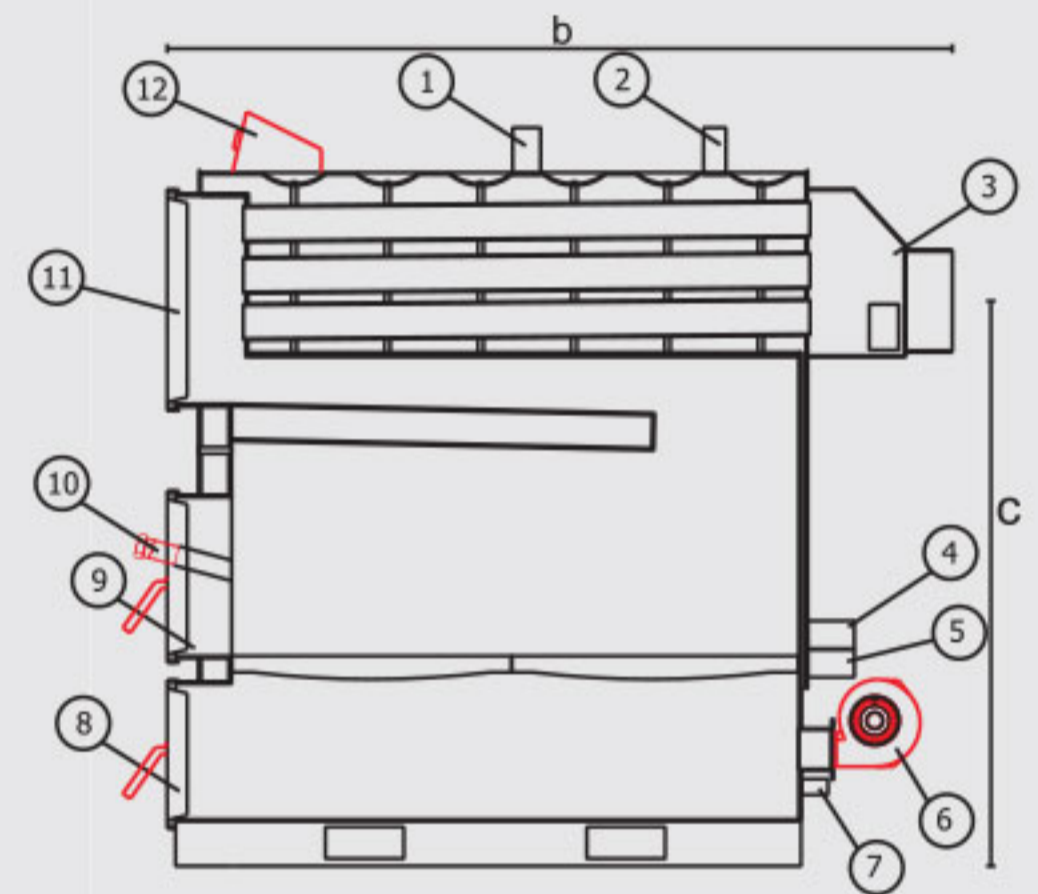
- 1- Boiler outlet
- 2- Safety outlet
- 3- Flue box
- 4- Boiler inlet
- 5- Safety inlet
- 6- Fan and fan flap
- 7- Water filling - discharge
- 8- Ash discharge cover
- 9- Fuel entry cover
- 10- Observing glass
- 11- Flue pipes cleaning cover
- 12- Control board



ÜKYP 130-250



ÜKYP 300-600



TECHNICAL SPECIFICATIONS

MODEL- SERIES	ÜKYP	130	160	180	200	250	300	350	400	450	500	600	
Fuel Type		Wood- Coal- Biomass											
Heat Output	kW	151	186	209	233	291	349	407	465	523	582	698	
	kcal/h	130.000	160.000	180.000	200.000	250.000	300.000	350.000	400.000	450.000	500.000	600.000	
Burning Chamber Height	mm	510						560					
Burning Chamber Width	mm	600			700		800	755	790				
Burning Chamber Length	mm	1020	1220		1320			1045			1400	1510	
Burning Chamber Volume	dm ³	312	373	436	471	539	402	462		619	668		
Fuel Entry	mm	440x340						460x380					
Water Volume	lt	320	400	480	560	640	890	925	1240	1195	1505	1570	
Boiler Weight	kg	740	855	985	1050	1205	1595	1745	1960	2015	2305	2560	
Required Draft	mbar	0,42- 0,45		0,44- 0,47		0,45- 0,49		0,47- 0,51			0,50- 0, 53		
Min-Max Operating Temperature	°C	45-85											
Water Return Temperature (Recommended)	°C	35											
Maximum Operating Pressure	bar	3											
Test Pressure	bar	5											
Dimensions	Width (a)	mm	760		860		960	1130	1180	1390			
	Length(b)	mm	1615	1815		1915			2280	2400		2750	
	Chimney Connection Height (c)	mm	1370				1465	1600	1665		1675		
	Boiler Total Height (h)	mm	1640				2000	2055	2095		2125		
Exhaust Gas Connection Diameter (Chimney)	mm	220						300			350		
Min-Max Flue Temperature	°C	170-210											
Boiler Outlet- Inlet	R"	2"				2 ½"		DN80		DN100		DN125	
Expansion Tank Outlet- Inlet	R"	1 ½"						2"					
Filling- Discharge	R"	1/2"						3/4"					
Electrical Connection	V/Hz	230 V- 50 Hz											

The right to make changes in dimension is reserved.

+90 444 35 32

www.unmak.com • export@unmak.com
Org. San. Böl. 8 Eylül Mah. Öteyaka Mevkii Anızcı Yolu üzeri No:51 • Fax: +90 232 469 24 12 Kemalpaşa / İZMİR

ÜNLÜSOY
Sanayi ve Tic. Ltd. Şti.