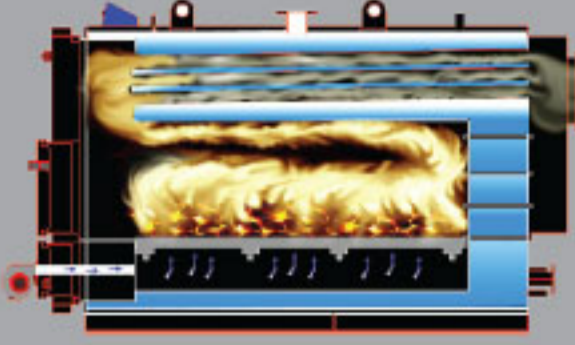


➤ Solid Fuel Central Heating Boiler

- Electronic and automatic heat control
- Solid fuel
- Natural gas installation (Optional)
- High Efficiency

“Feel the heat...”

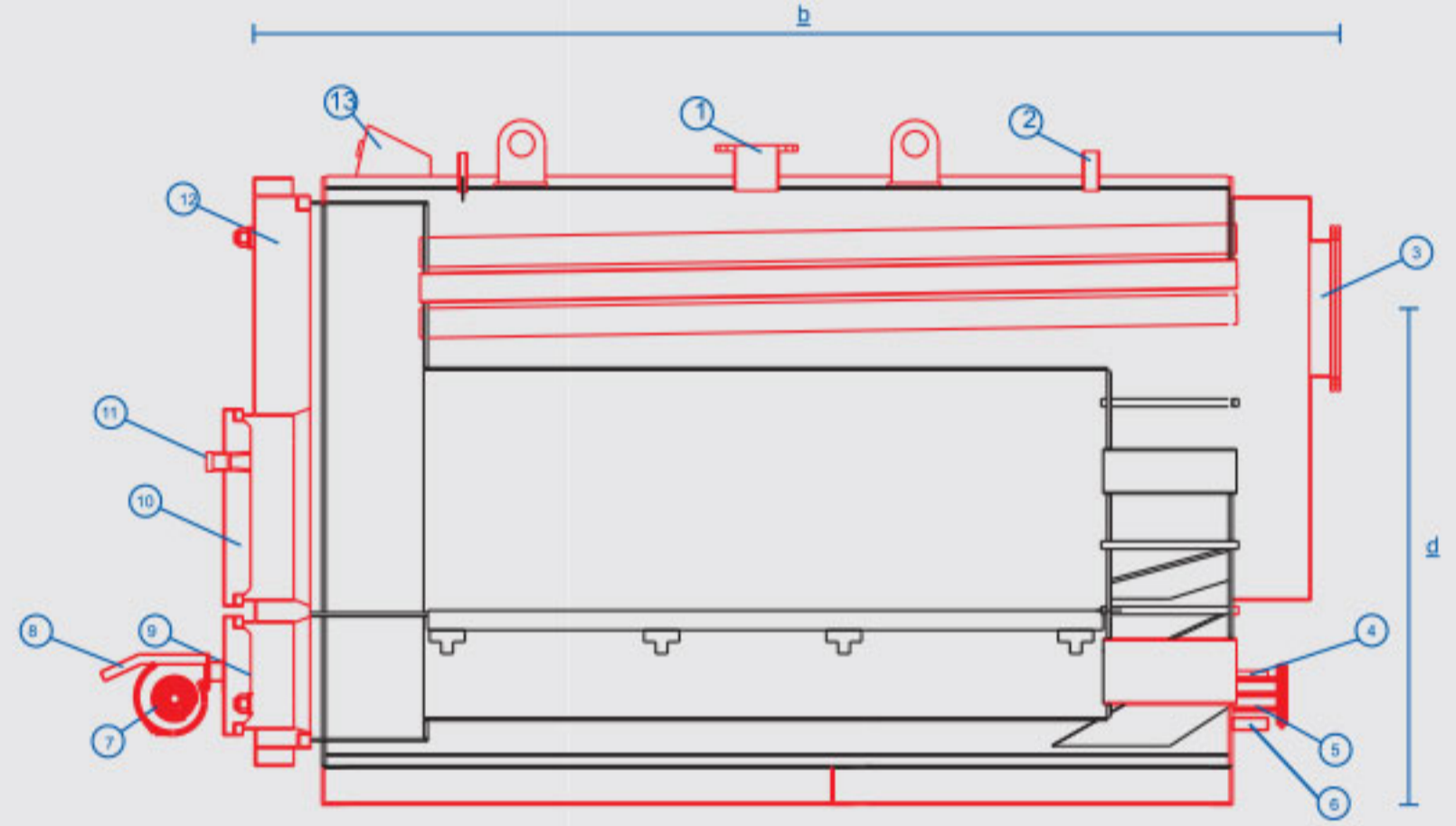
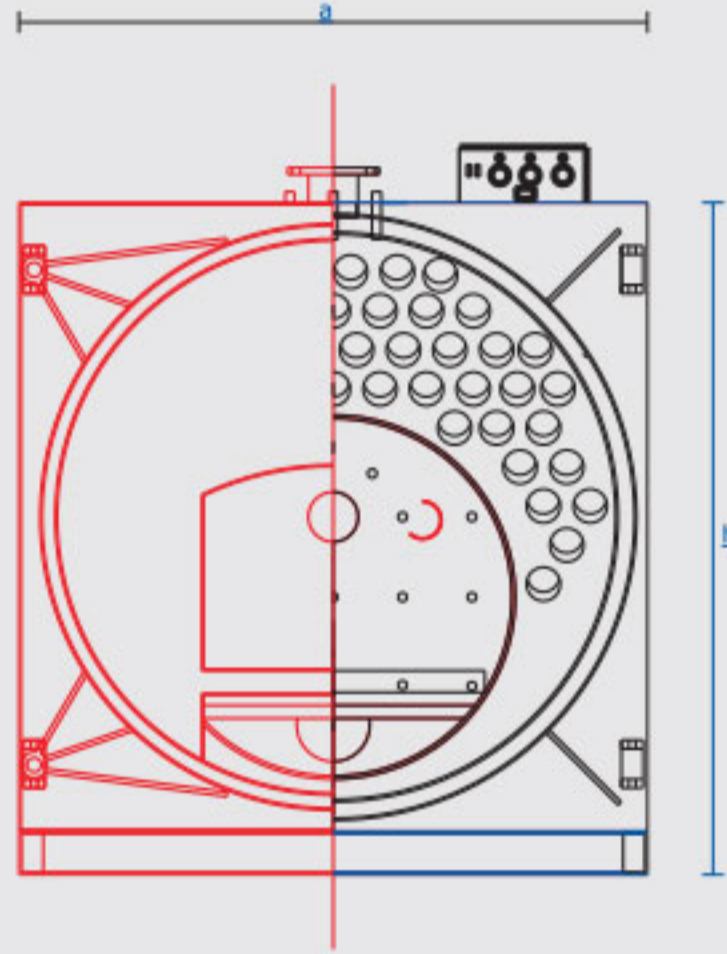




ÜKYS series Solid Fuel Boiler

ÜNMAK ÜKYS series central heating boilers are designed to burn different types of fuels. Modification to burn gas and liquid fuel is available. Boilers have different capacities, they are user friendly and provide comfortable heating.

- 1- Boiler outlet
- 2- Safety outlet
- 3- Chimney
- 4- Safety return
- 5- Boiler inlet
- 6- Water filling - discharge
- 7- Fan
- 8- Fan protection
- 9- Ash discharge cover
- 10- Fuel entry cover
- 11- Observing glass
- 13- Flue pipes cleaning cover
- 14- Control board



ÜKYS-200/800

TECHNICAL SPECIFICATION

MODEL- SERIES	ÜKYS	200	225	250	300	350	400	450	500	600	700	800	
Fuel Type		Wood- Coal- Biomass											
Heat Output	kW	233	262	291	349	407	465	523	581	698	814	930	
	kcal/h	200.000	225.000	250.000	300.000	350.000	400.000	450.000	500.000	600.000	700.000	800.000	
Burning Chamber Height	mm	400	410	450		500		570		580	740	780	
Burning Chamber Width	mm	675		720		760		810		840	940	980	
Burning Chamber Length	mm	1200			1500			1800		2000			
Burning Chamber Volume	dm ³	324	332	389	486	570	684	832	924	974	1391	1529	
Fuel Entry	mm	450*400		550*470		550*460		550*455		600*500			
Water Volume	lt	900	1000	1050	1260	1440	1880	1990	2050	2560	3090	3300	
Boiler weight	kg	1850	2050	2160	2440	2750	3020	3500	3670	4375	5150	5670	
Required Draft	mbar	0,44- 0,47		0,46- 0,49			0,48- 0,52			0,51- 0,54			
Operating Temperature	°C	45- 85											
Water Return Temperature (Recommended)	°C	35											
Maximum Operating Pressure	bar	4											
Test Pressure	bar	6											
Dimensions	Width (a)	mm	1250	1350	1400		1500		1550		1700	1900	1930
	Length (b)	mm	2210			2650			3025	3090	3360	3400	3550
	Chimney Connection Height (d)	mm	1015	1115	1165		1265		1315		1465	1665	1695
	Total Boiler Height (h)	mm	1530	1630	1680		1780		1830		1980	2180	2210
Exhaust Gas Connection Diameter	mm	300				350				400			
Min-Max Flue Temperature	°C	170- 210											
Boiler Outlet Inlet	R"	DN 65		DN 80			DN 100			DN 125			
Expansion Boiler Outlet	R"	1 1/4"		1 1/2"			2"			2 1/2"			
Filling - Discharge	R"	3/4"											
Electrical Connection	V/Hz	230 V- 50 Hz											

The right to make changes in dimension is reserved.



+90 444 35 32

www.unmak.com • export@unmak.com
Org. San. Böl. 8 Eylül Mah. Öteyaka Mevkii Anızcı Yolu üzeri No:51 • Fax: +90 232 469 24 12 Kemalpaşa / İZMİR

ÜNLÜSOY
Sanayi ve Tic. Ltd. Şti.